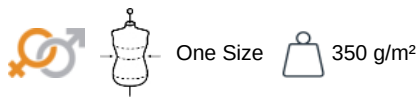


KI5606

Denim duffel bag

- Durable duffel bag, made from recycled cotton and recycled polyester.
- Resistant handles made from the same material as the body of the bag.
- Recycled material: for a beautiful and stable denim colour.

70% cotton / 30% polyester. Duffel bag with handles along the body of the bag, made from the same material. As it is recycled, the material does not lose its colour.

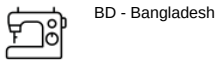


More information

Logistic



Country of origin



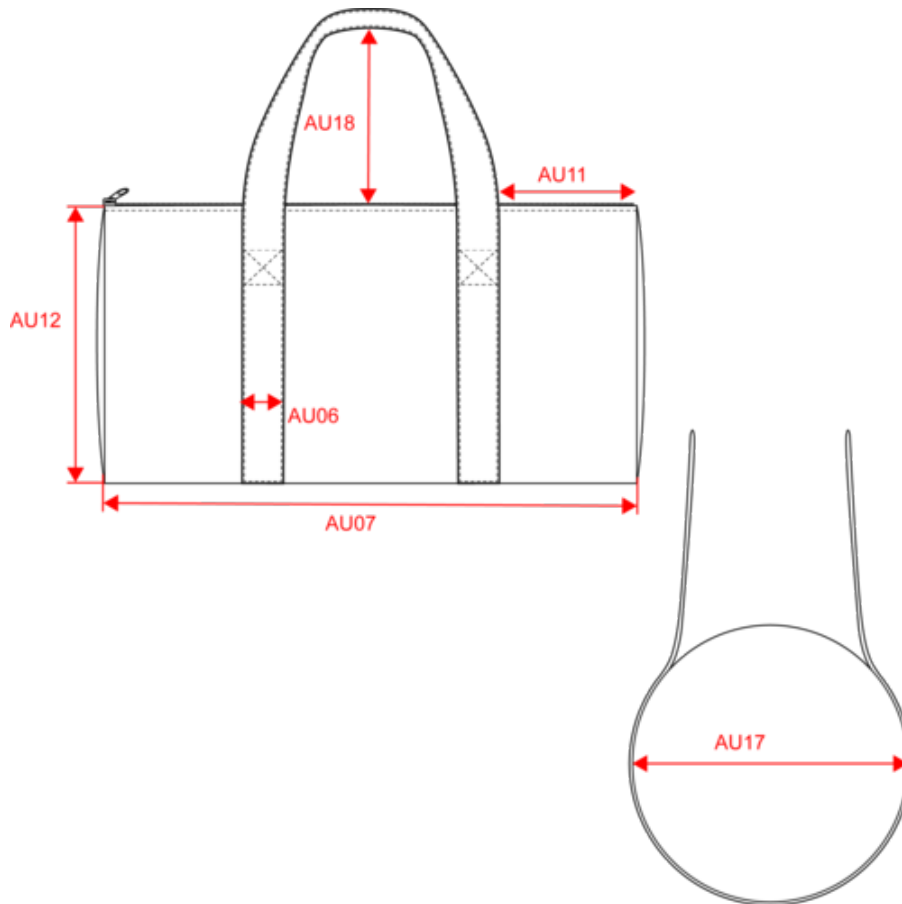
Customs code



Washing instructions



Dimensions (cm)




Measurements in cm	One size
AU07 - Total width	50.00
AU12 - Total height	25.00
AU17 - Total depth	25.00




KI5606

Denim duffel bag

Colours information

 **Recycled Denim**

RVB :
Pantone C :
Pantone TCX :

Logistic  1  30

Sizes	Width (cm)	Height (cm)	Length (cm)	Net weight (kg)	Gross weight (kg)	Pieces/Box	Pieces/Bundle
One Size	40.00	0.00	60.00	0.00000	0.00000	30	1